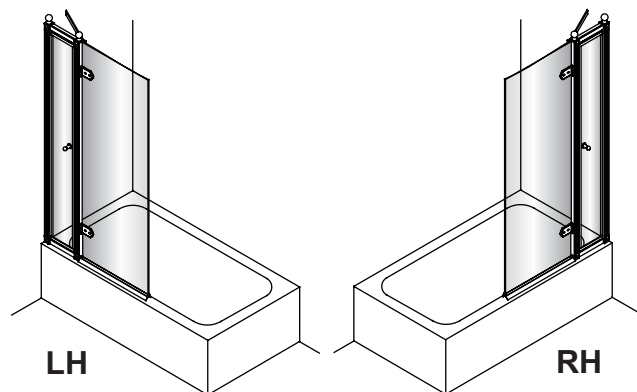


Bath Screen with access panel - C10



Before Installation:

- Check the contents of the pack carefully before installation.
- The bath **MUST** be installed level and fully sealed to the tiles.
The bath shown in the illustration may differ to the model received.
- Handle with care. Impacts can damage both the glass and the frame.
- Check for any hidden pipes or cables before drilling holes in the wall.
- The enclosure is reversible: " door can be either left or right opening. "

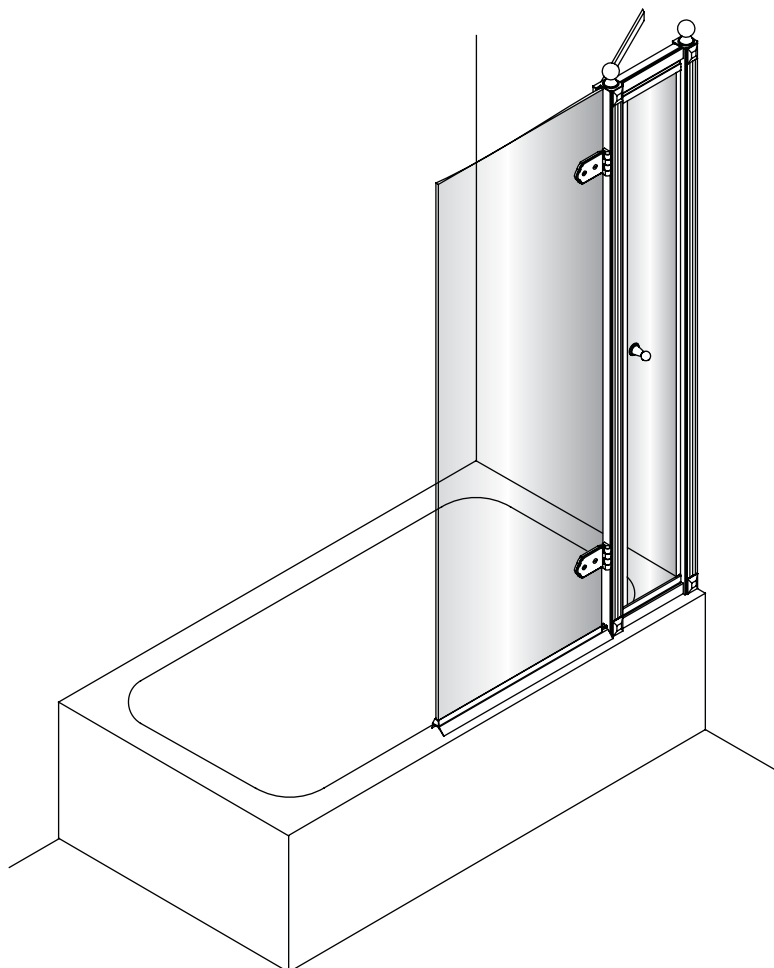
In the remainder of this manual the illustrations will only show the right hand installation of the bath screen.

The parts marked "LH" or "RH" would be only suitable for the relative shower enclosure.

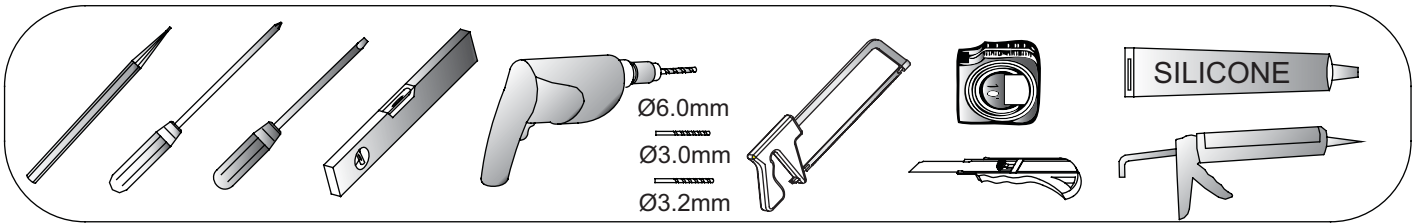
- The wall fixings supplied may not be suitable for your installation. You may need to source alternatives depending on the construction of the wall you are fixing to.
- Follow each step in turn.

Care and Cleaning:

- Do not use solvents or abrasive material or chemicals to clean the enclosure.
- Only clean using soapy water and a soft cloth, rinse thoroughly afterwards.

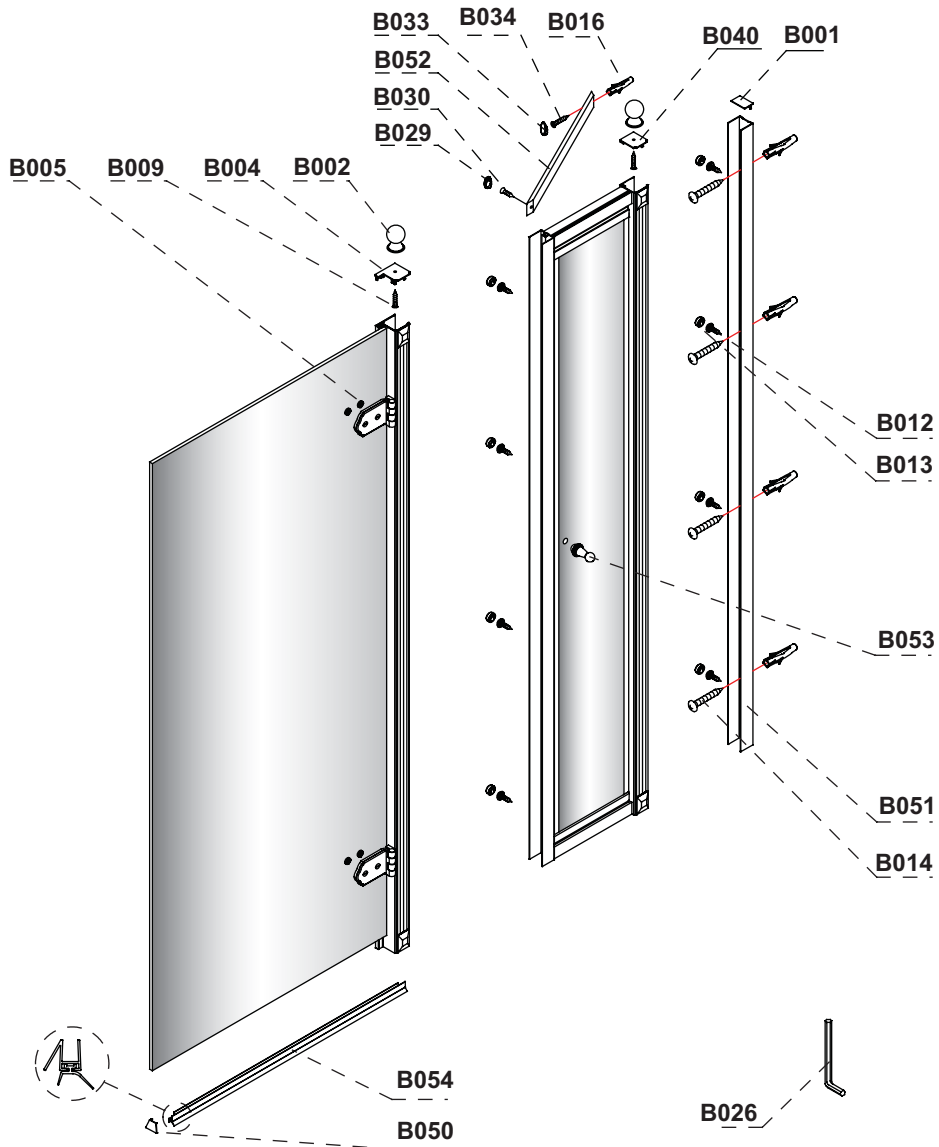


Tools required:



Parts supplied:

Bath screen with access panel



B001 1x	B041 1x LH	B040 1x RH	B016 5x	B034 ST4*35mm 1x	B033 1x	B052 1x	B030 ST4*25mm 1x
B029 1x	B002 2x	B003 1x LH	B004 1x RH	B009 ST3.5*16mm 2x	B005 4x	B049 1x LH	B050 1x RH
B054 1x	B053 1x	B051 1x	B014 ST4*50mm 4x	B012 ST3.5*10mm 8x	B013 8x	B026 4mm 1x	

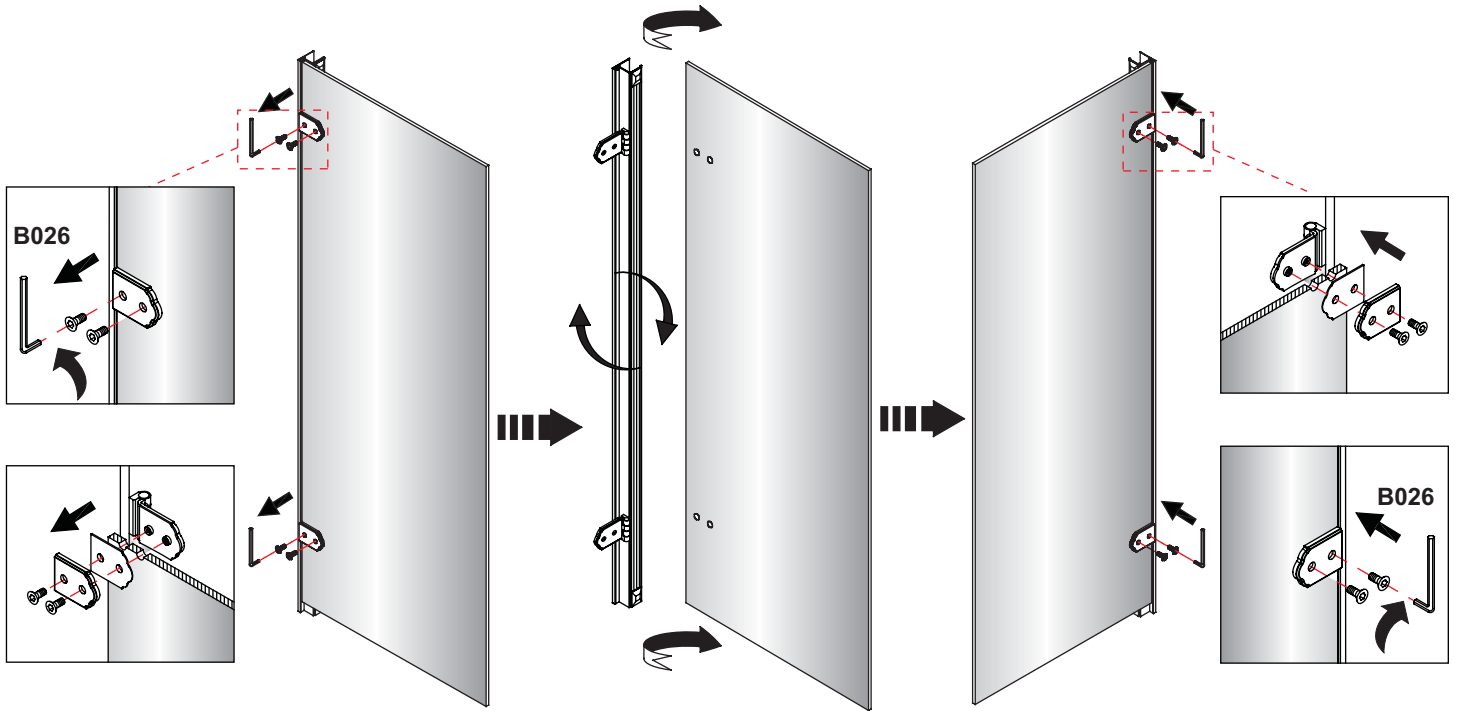


The bath screen is supplied for Right Handed installation. For Left Handed installation please loosen the hinges and reverse the glass as shown below.

Right Hand

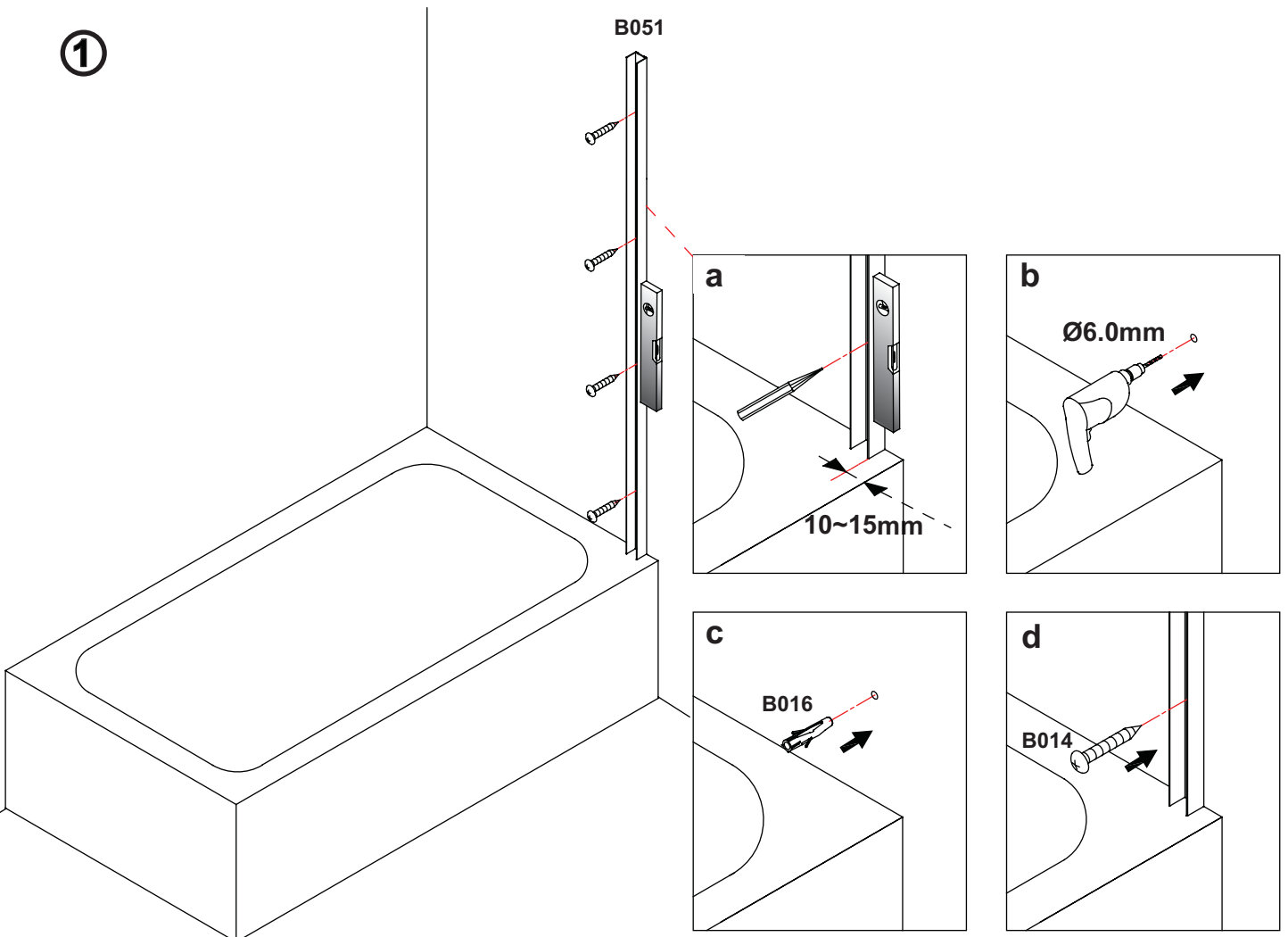


Left Hand

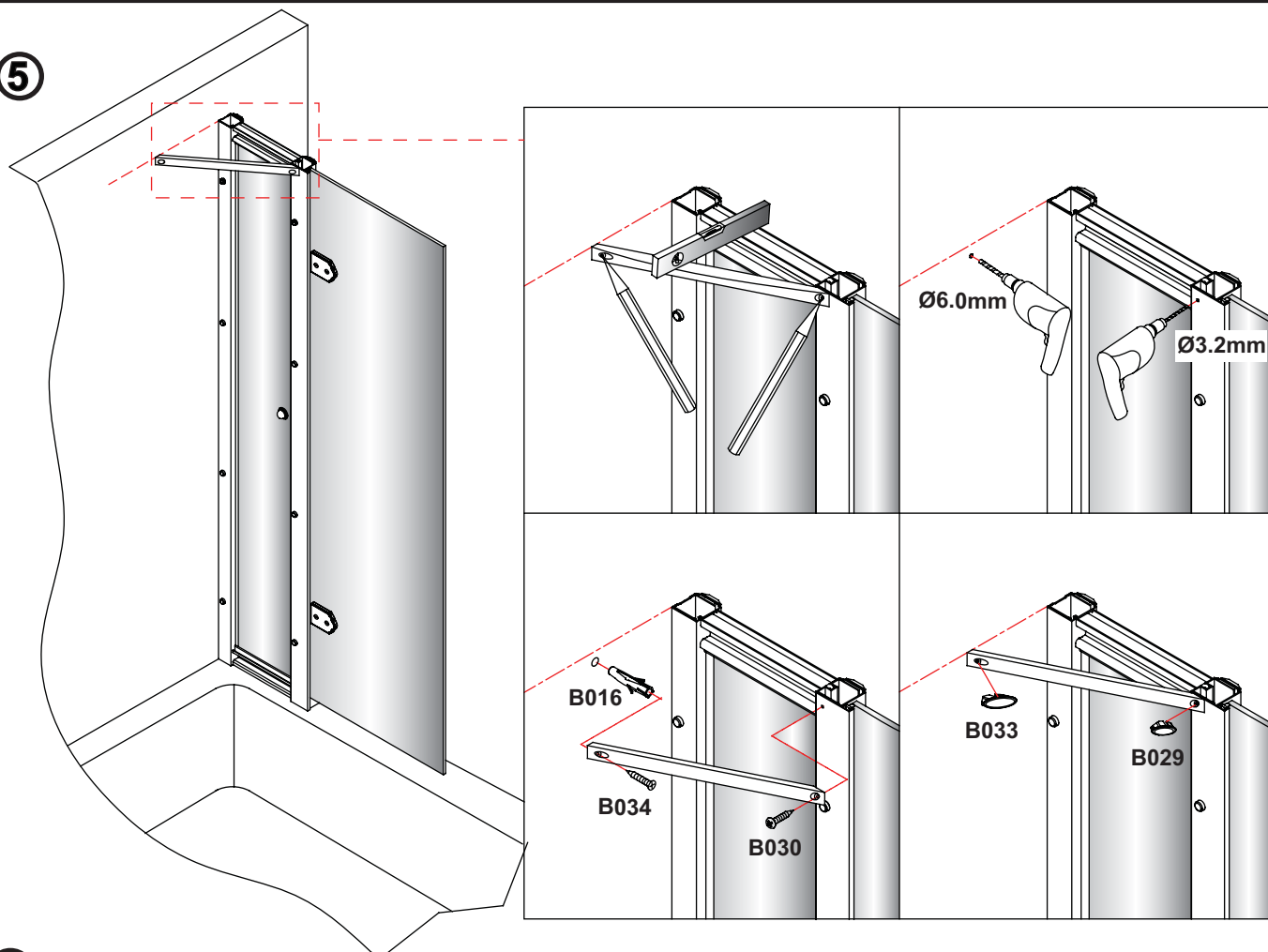


①

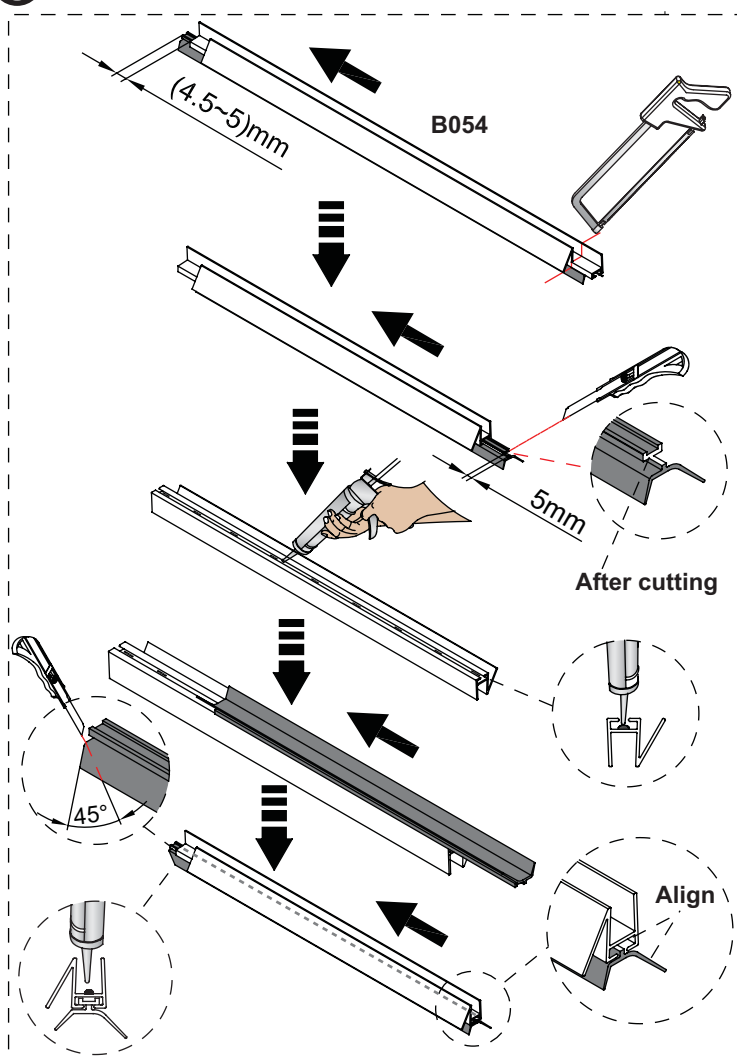
B051



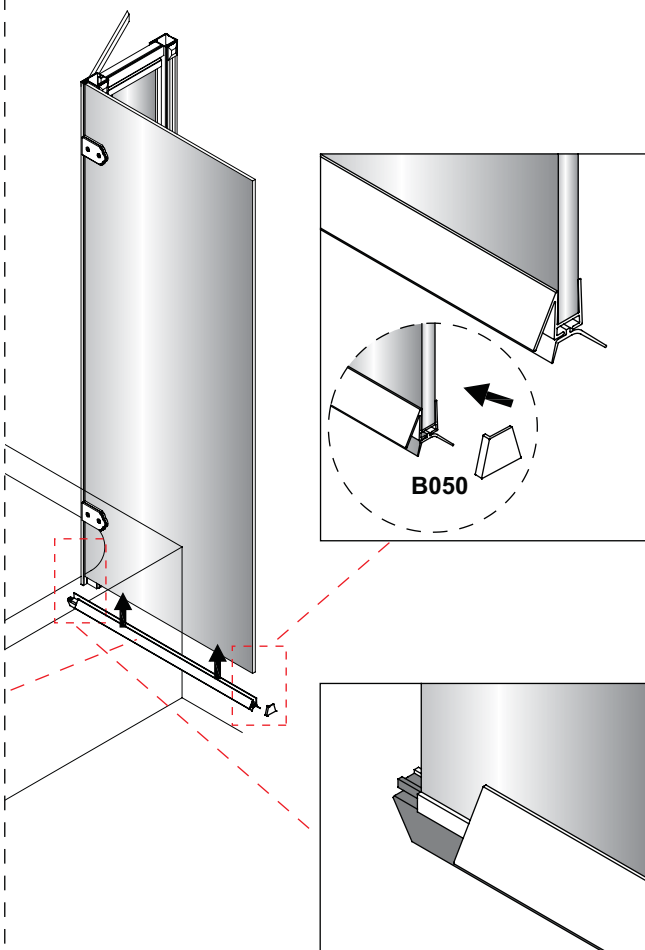
5



6

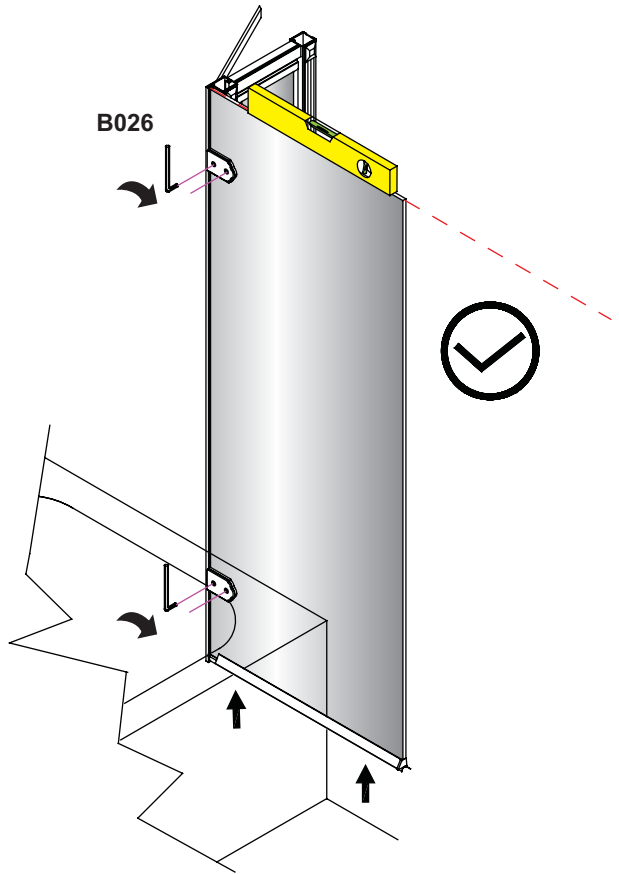
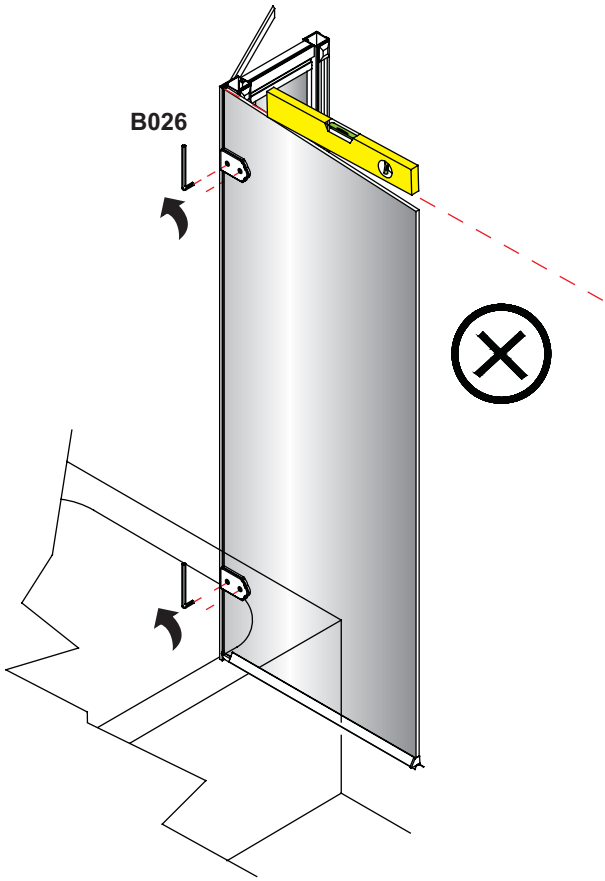


* Please note when cutting parts B054 a sharp fine tooth hacksaw should be used.





Only if adjustment is required.



7

